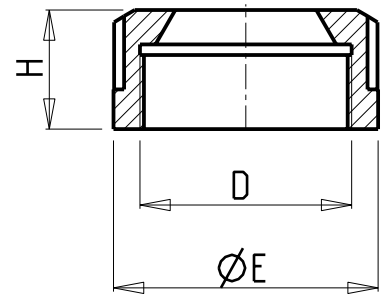
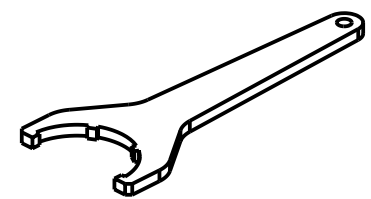


GHIERE ER CON CUSCINETTO A SFERE
ER Collet Nuts with Bearing
Spannmutter ER kugelgelagert

Cod. MT	ER	D	ØE	H	CHIAVE Wrench Schlüssel
GHSTER16	16	M22x1.5	32	18	CHSTER16
GHSTER20	20	M25x1.5	35	19	CHSTER20
GHSTER25	25	M32x1.5	42	21	CHSTER25
GHSTER32	32	M40x1.5	50	23	CHSTER32
GHSTER40	40	M50x1.5	63	26	CHSTER40
GHSTER50	50	M64x2	78	35	CHSTER50

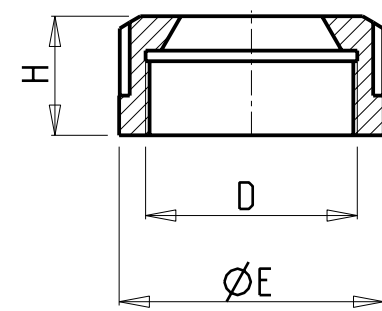


CHIAVE
Wrench
Schlüssel

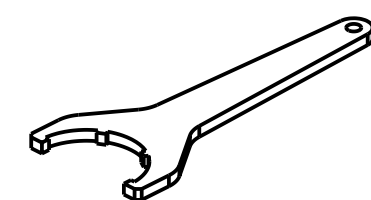


GHIERE ER STANDARD
Standard ER Collet Nuts
Spannmutter ER Standard

Cod. MT	ER	D	ØE	H	CHIAVE Wrench Schlüssel
GHMNER11	11	M13x0.75	16	12	CHMNER11
GHSSER11E	11	M14x0.75	19	11.5	CHUB17
GHMNER16	16	M19x1	22	18	CHMNER16
GHSSER16	16	M22x1.5	32	17.5	CHSTER16
GHSSER16E	16	M22x1.5	28	17	CHUB25
GHMNER20	20	M24x1	28	19	CHMNER20
GHSSER20	20	M25x1.5	35	19	CHSTER20
GHMNER25	25	M30x1	35	20	CHMNER25
GHSSER25	25	M32x1.5	42	20	CHSTER25
GHSSER32	32	M40x1.5	50	22.5	CHSTER32
GHSSER40	40	M50x1.5	63	25	CHSTER40
GHSSER50	50	M64x2	78	35	CHSTER50



CHIAVE
Wrench
Schlüssel



TABELLE

TABELLE GHIERE
Collet nuts charts
Tabelle Spannmuttern

M.T. srl
Via Casino Albini 480
Tel. 0541/956034-957884
Fax 0541/956341
47842 S. GIOVANNI IN M. (RN)
e-mail: mtma@mtmarchetti.com
http://www.mtmarchetti.com



TBL180-1-00